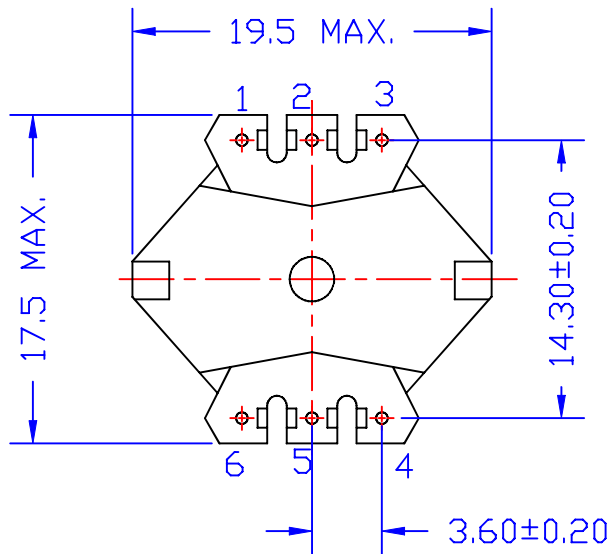
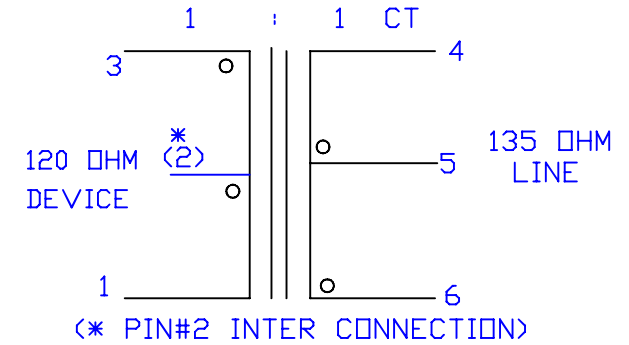
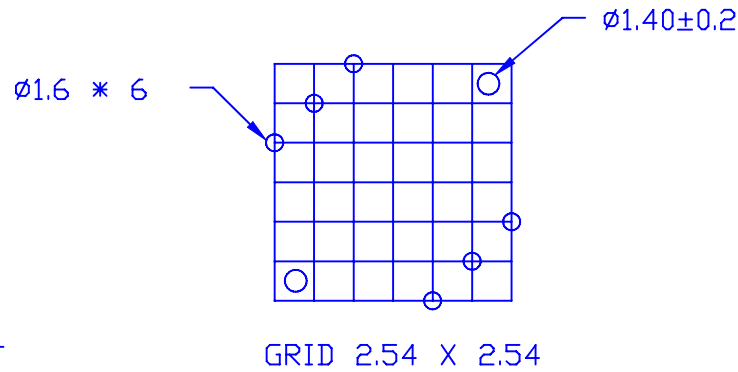
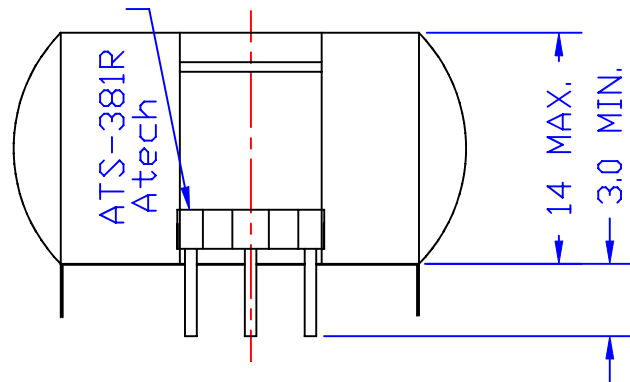


WHITE DOT IN PIN# 1



ELECTRICAL CHARACTERISTICS: (FOR LXT400, LXT456 DDS)

1. D.C.R. : PIN 1-3 = 7.5 OHM +/-12%
PIN 4-6 = 7.5 OHM +/-12%
2. INDUCTANCE : (@ 400HZ, 1Vrms)
1-3 = 545 mH MIN.
3. LEAKAGE INDUCTANCE : (@ 10KHZ, 10mVrms, 4-6 SHORT)
1-3 = 75uH MAX.
4. INSERTION LOSS : (@20KHZ, 0.1 Vrms, 1-3 W/H 120 OHM)
4-6 = 0.65 dB MAX.
5. INTERWINDING CAP : (@ 10KHZ, 10mVrms)
1-4 = 100 Pf MAX.
6. TURN RATIO : (@15KHZ, 0.1Vrms) 3-1 : 6-4 = 1 +/- 1%
3-1 : 2-1 = 2 +/- 1%
6-4 : 5-4 = 2 +/- 1%
7. HI-POT = 1000VAC, 1mA, 2SEC (PRI-SEC)
8. RoHS COMPLIANT

						Atech®		TITLE DDS TRANSFORMER	
						Atech Technology Co., Ltd.		DWG. NO. ATS-381R	
						TEL:(02)2794-6667 FAX:(02)2794-8004			
						UNITS:		SAFETY	
REVISIONS						DATE		P/N:	
NO.	DESCRIPTION	DATE	BY	CHK	APPD	SHEET 1 OF 1		DRAW	